

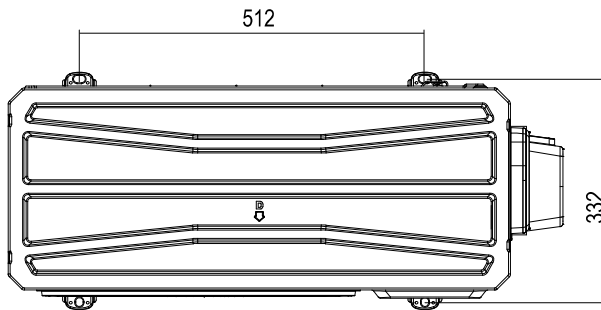
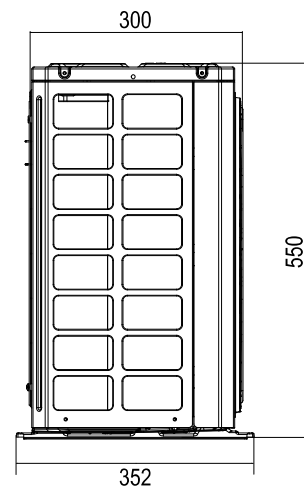
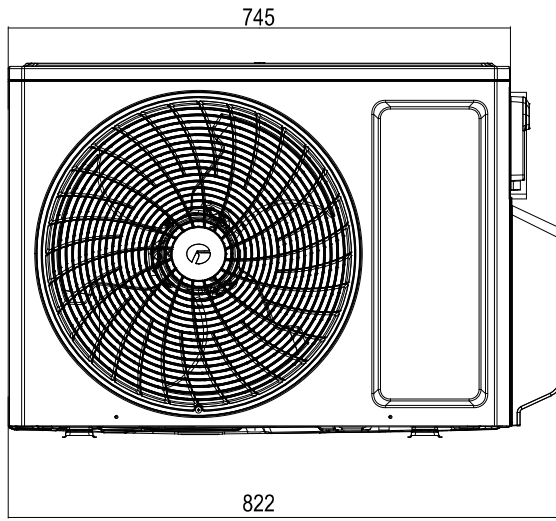
2. Specifications

Model			GWHD(24)NK600(LC)(LH)	
Product Code			CB228W14600	
Power Supply	Rated Voltage	V~	220-240	
	Rated Frequency	Hz	50	
	Phases		1	
Cooling Capacity		W	7100	
Heating Capacity		W	8600	
Cooling Power Input		W	1880	
Heating Power Input		W	2230	
Cooling Current Input		A	8.35	
Heating Current Input		A	9.89	
Rated Power Input		W	Cooling:3400/Heating:3000	
Rated Current		A	Cooling:15/Heating:14.6	
SEER		W/W	7.10	
SCOP		W/W	4.30	
Outdoor Unit	Compressor Trademark		ZHUHAI LANDA COMPRESSOR CO.,LTD	
	Compressor Model		QXFS-M180zX170	
	Compressor Refrigerant Oil Type		FW68DA or equivalent	
	Compressor Type		Twin Rotary	
	L.R.A		A	24
	Compressor Rated Load Amp (RLA)		A	/
	Compressor Power Input		W	1480
	Compressor Thermal Protector			HPC115/95/KSD115°C
	Throttling Method			Electron expansion valve
	Cooling Operation Ambient Temperature Range		°C	-15~43
	Heating Operation Ambient Temperature Range		°C	-22~24
	Condenser Material			Aluminum Fin-copper Tube
	Condenser Pipe Diameter		mm	Φ7
	Rows-Fin Gap(mm)		mm	2-1.40
	Coil length (L) X height (H) X coil width (W)		mm	851X616X38.1
	Fan Motor Speed (rpm) (H/M/L)		rpm	Cooling:850/Heating:800
	Output of Fan Motor		W	60
	Fan Motor RLA		A	0.426
	Fan Motor Capacitor		μF	/
	Air Flow Volume of Outdoor Unit		m ³ /h	3800
	Fan Type-Piece			Axial-flow
	Fan Diameter-Height		mm	Φ520-154
	Defrosting Method			Automatic Defrosting
	Climate Type			T1
	Isolation			I
	Moisture Protection			IPX4
	Permissible Excessive Operating Pressure for the Discharge Side		MPa	4.3
	Permissible Excessive Operating Pressure for the Suction Side		MPa	2.5
	Dimension (WXDXH)		mm	964X402X660
	Dimension of Carton Box (LXWXH)		mm	1029X453X715
	Dimension of Package (LXWXH)		mm	1032X456X737
	Net Weight		kg	47.5
Gross Weight		kg	52.0	
Refrigerant			R32	
Refrigerant Charge		kg	1.70	
Cross-sectional Area of Power Cable Conductor		mm ²	2.50	
Recommended Power Cable(Core)		N	3	
Connection Pipe Connection Method			Flare Connection	
Not Additional Gas Connection Pipe Length		m	30	
Connection Pipe Gas Additional Charge		g/m	20	
Outer Diameter of Liquid Pipe(GREE Allocation)(Metric)		inch	1/4	
Outer Diameter of Gas Pipe(GREE Allocation)(Metric)		inch	3/8	
Outer Diameter of Liquid Pipe(GREE Allocation)(Metric)		inch	1/4	
Outer Diameter of Gas Pipe(GREE Allocation)(Metric)		inch	3/8	
Connection Pipe Max. Height Distance(indoor and indoor)		m	15	
Max. equivalent connection pipe length(outdoor to last indoor)		m	20	
Connection Pipe Max. Length Distance(total length)		m	60	

The above data is subject to change without notice; please refer to the nameplate of the unit.

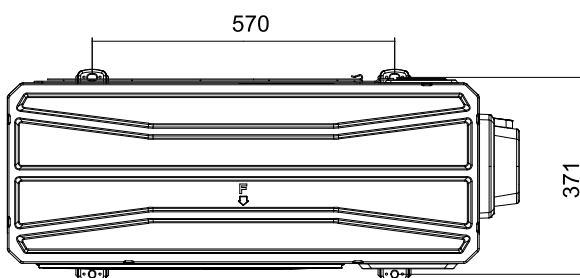
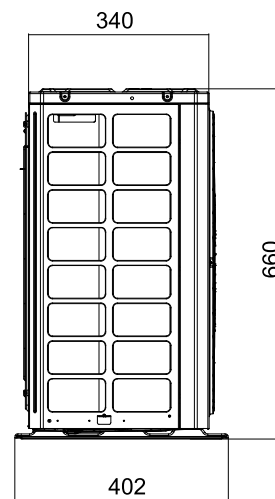
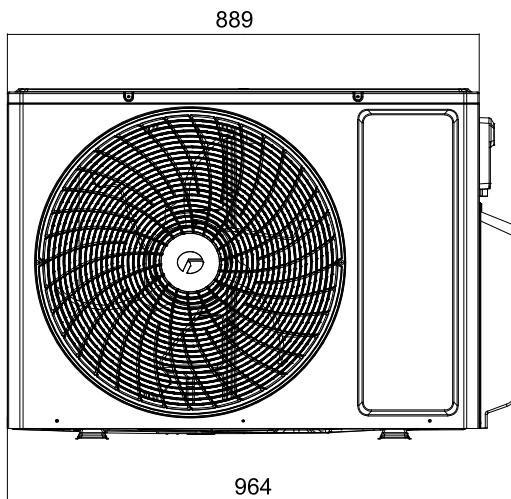
3. Outline Dimension Diagram

GWHD(14)NK600(LC)(LH) GWHD(14)NK600(LC)
 GWHD(18)NK600(LC)(LH) GWHD(18)NK600(LC)



Unit: mm

GWHD(21)NK600(LC)(LH) GWHD(24)NK600(LC)(LH) GWHD(28)NK600(LC)(LH)



Unit:mm